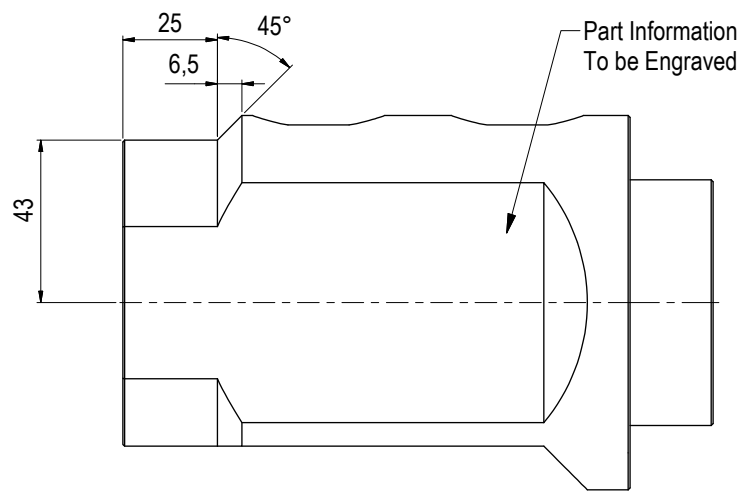
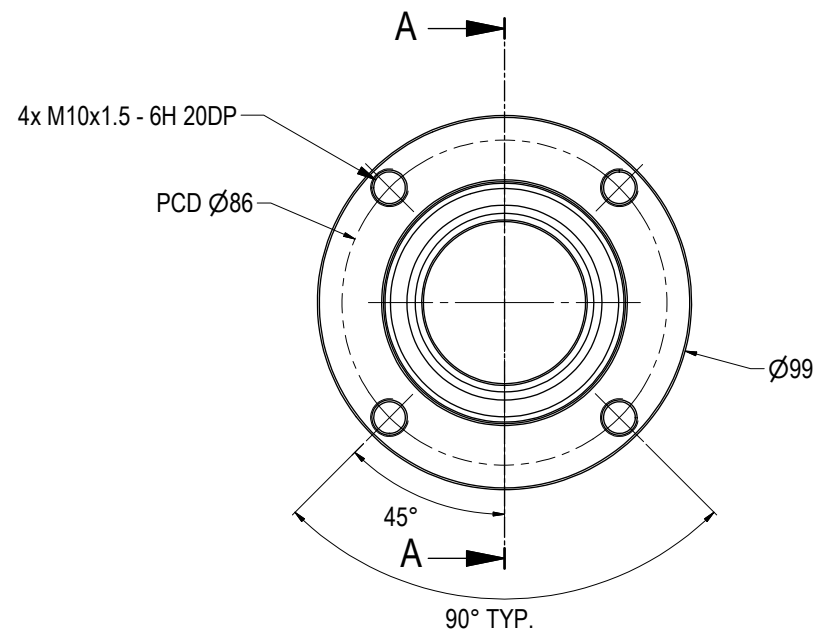
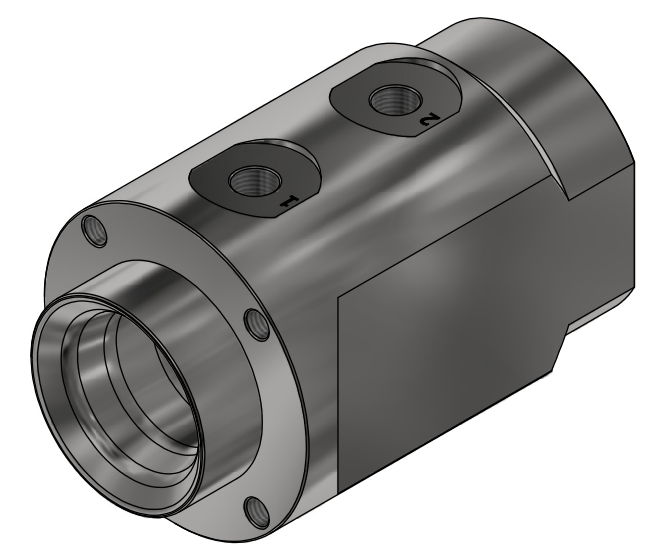
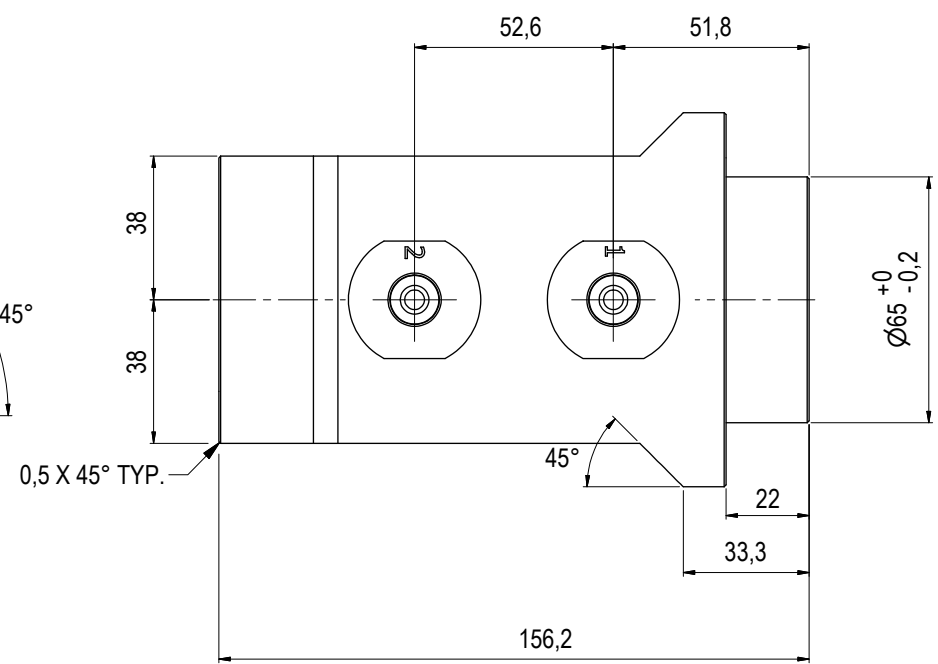
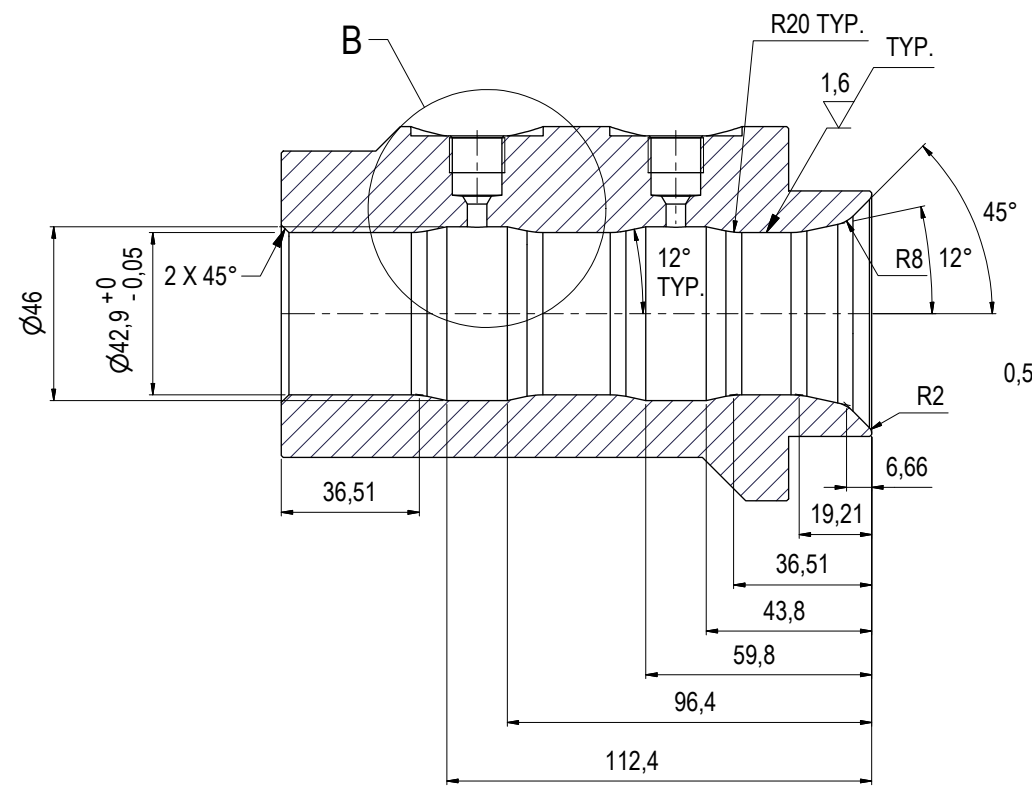
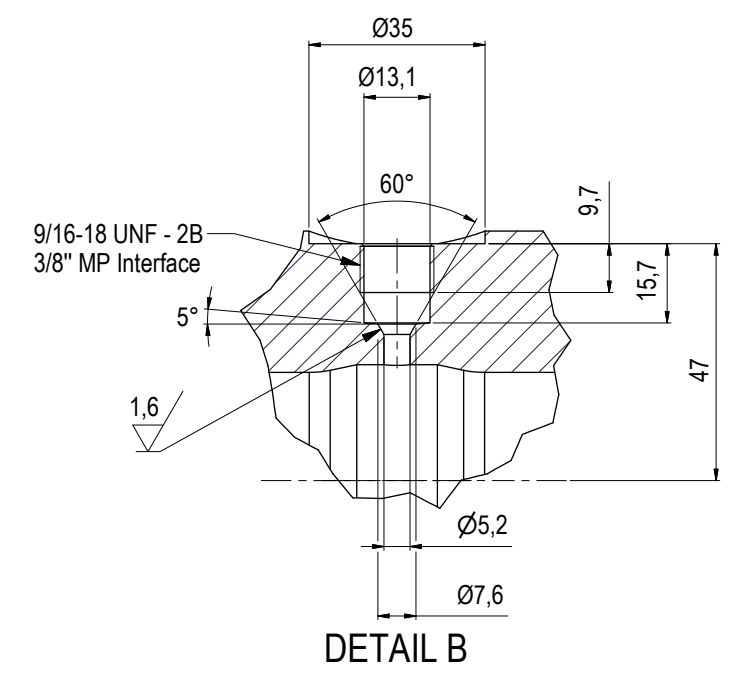


Parts List				
ITEM	QTY	PART No.	DESCRIPTION	MATERIAL
1	1	BB7894	Ø43 DP Rec 10k Long-term MP 3/8"	S32750 SUPER DUPLEX



NOTE 1  
ITEM TO BE MARKED WITH  
ARTICLE, HEAT AND SERIAL NUMBER.  
EXAMPLE:  
BB7894  
HT: XXXXXX  
SN: XXXXXX-YYY



SECTION A-A

Rev.	Date	Reason for issue	Revision change	Made	Chk'd	Appr.
01	17.3.2022	9-IFU (Issued for Use)		WTJ	HNJ	WTJ

**BLUE LOGIC**

This Drawing is the Property of Blue Logic AS © and must Not be Loaned, Reproduced or Transferred to others without written Permission

Unless Noted Otherwise:	Dwg Scale: NTS
Dim. Tol: NS-ISO 2768-1M	Dwg Proj:
Roughness: Ra3,2	Dwg Format: A3
Fillet Rad: Corner Rmax: 0,2	Break Edges: (R. Alt. 45°) R= 0,1-0,5

Drawing title: Ø43 DP Rec 10k Long-term MP 3/8"	Drawing number: BB7894	Rev: 01
---	------------------------	---------